

OVERHEAD ANCHORAGE ANYTIME, ANYWHERE.



- ▶ TWO FALL ARREST ANCHOR POINTS FOR SIMULTANEOUS TIE-OFF
- ▶ 30' MAXIMUM HEIGHT SUPPORTS WIDE RANGE OF USES
- ▶ 100% HYDRAULIC MAST & COUNTERWEIGHT FOR EASE OF USE & QUICK SETUP TIME
- ▶ INCOMPARABLE MOBILITY & INTERSTATE TRAVEL
- ▶ 6' WIDE FRAME MAKES TIGHT AREAS ACCESSIBLE
- ▶ SHIPS READY TO GO - NO ASSEMBLY REQUIRED!

THE GRABBER® MOBILE FALL PROTECTION SYSTEM

X1240 - The Grabber®

X1240 The Grabber® Mobile Fall Protection System provides two overhead anchor points - anytime, anywhere. The Grabber® meets OSHA fall protection codes and ANSI Z359.6 design requirements for fall arrest systems, and has been validated by an independent 3rd party ISO 17025 testing laboratory.

The versatile Grabber® is designed to be used in either fall arrest or fall restraint and features a one-of-a-kind adjustable mast that can be positioned anywhere between 2' and the unprecedented maximum height of 30'.

3-Way Rescue Package* Available

Ergonomically positioned for ease of use.
Enables rescue retrieval at point of connection.

*Optional Package Includes:

SRL Receiver Bracket
Self Retracting Lifeline

Total Weight:
(with Counterweight)
5,100 lbs.

Max. Anchor Height:
30'

Min. Anchor Height:
2'

Total Width:
<6ft.

Total Workers:
2

Hitch:
2 5/16"



Use your smartphone's QR reader to find out more about the Grabber®.



MALTA
DYNAMICS



sales@arksafety.com 1.800.752.3422

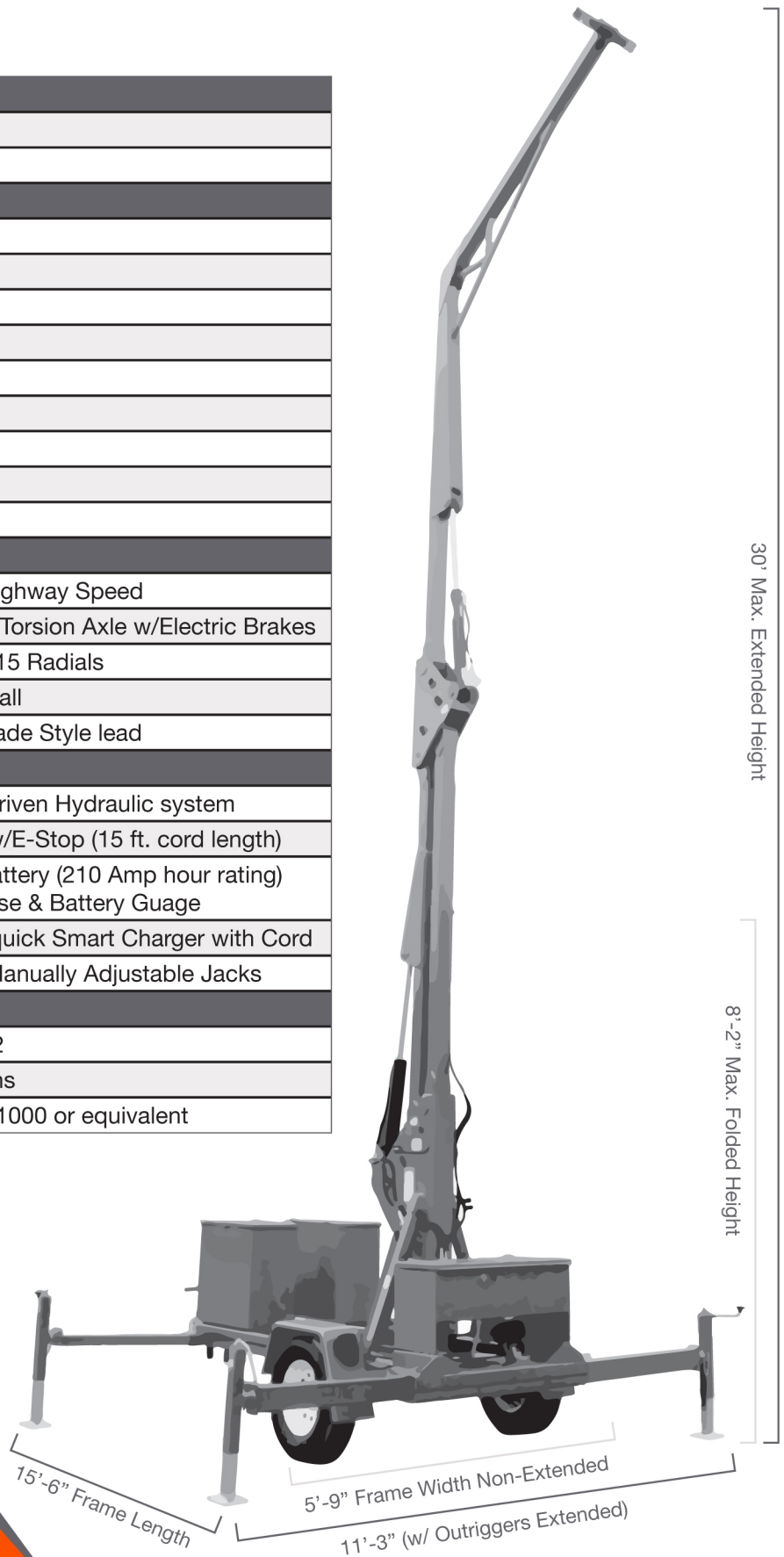
www.arksafety.com



X1240 - The Grabber[®] Spec Sheet

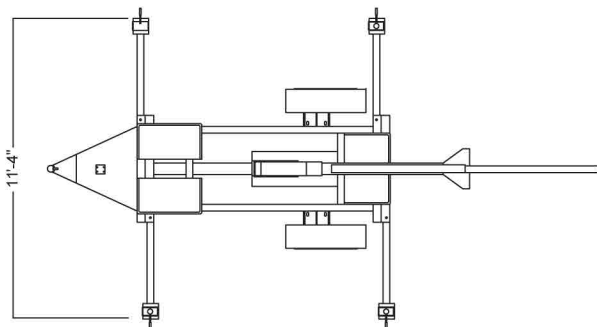
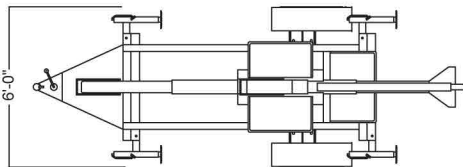
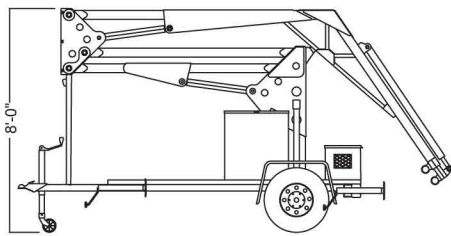
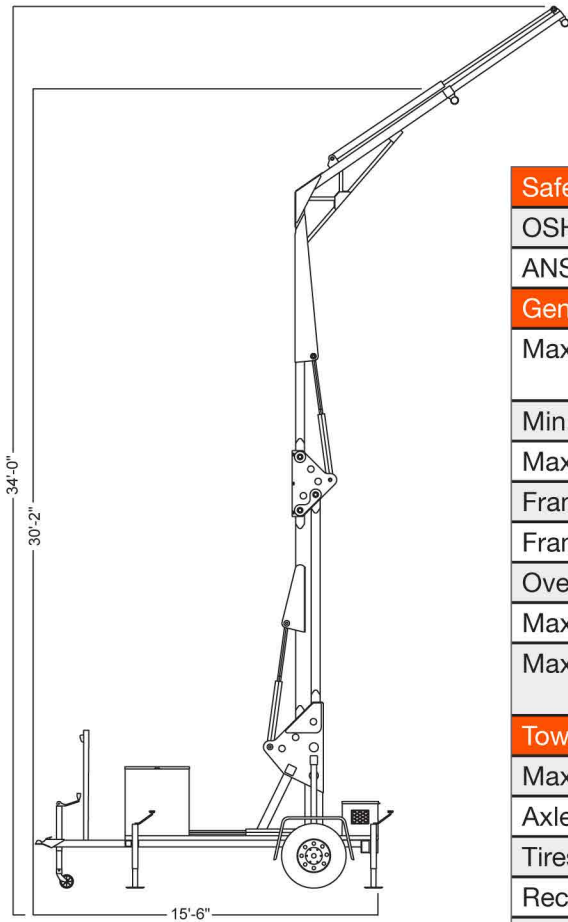
Safety Standards	
OSHA Fall Restraint Standards	
ANSI Fall Restraint Standards (Z359.6)	
General	
Max. Working Height	30'
Min. Working Height	2'
Max. Folded Height	8'-2"
Frame width Extended Outriggers	11'-3"
Frame Width Non-Extended	5'-9"
Overall Length	15'-6"
Total Weight	5100 lbs.
Max. Anchor Point capacity	310 lbs.
Max. Allowable Users	2
Towing	
Max. Towing Speed	Posted Highway Speed
Axle	5400 lbs. Torsion Axle w/Electric Brakes
Tires	225/70/R15 Radials
Receiver	2-5/16" Ball
Trailer Plug Wiring	7-Pole Blade Style lead
Operation	
Actuating Method	Electric-driven Hydraulic system
Controls	Remote w/E-Stop (15 ft. cord length)
Power Source	12 volt Battery (210 Amp hour rating) w/30A Fuse & Battery Gauge
Charging System	110 Volt quick Smart Charger with Cord
Outrigger System	Four (4) Manually Adjustable Jacks
Hydraulics	
Fluid Type	Nuto H 32
Fluid Capacity	4.8 Gallons
Filter	Lenz CP-1000 or equivalent

*SRLs not included.



www.arksafety.com
sales@arksafety.com
1.800.752.3422

X1250 - The Grabber[®] Spec Sheet



Safety Standards

OSHA Fall Restraint Standards

ANSI Fall Restraint Standards (Z359.6)

General

Max. Working Height	34' with Mast Fully Extended 30' with Mast Unextended
Min. Working Height	2'
Max. Folded Height	8'-2"
Frame width Extended Outriggers	11'-3"
Frame Width Non-Extended	5'-9"
Overall Length	15'-6"
Max. Anchor Point capacity	310 lbs.
Max. Allowable Users	2 with Mast Unextended 1 with Mast Fully Extended

Towing

Max. Towing Speed	Posted Highway Speed
Axle	7000 lbs. Torsion Axle w/Electric Brakes
Tires	225/70/R15 Radials
Receiver	2-5/16" Ball
Trailer Plug Wiring	7-Pole Blade Style lead

Operation

Actuating Method	Electric-driven Hydraulic system
Controls	Remote w/E-Stop (15 ft. cord length)
Power Source	12 volt Battery (210 Amp hour rating) w/30A Fuse & Battery Guage
Charging System	110 Volt quick Smart Charger with Cord
Outrigger System	Four (4) Manually Adjustable Jacks

Hydraulics

Fluid Type	Nuto H 32
Fluid Capacity	8.6 Gallons
Filter	Lenz CP-1000 or equivalent

*SRLs not included.

